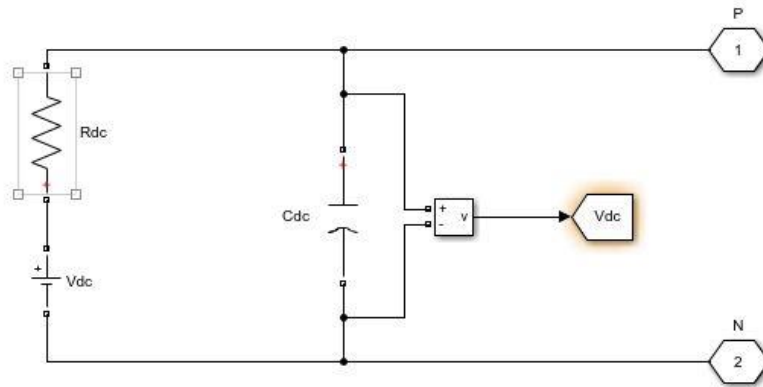
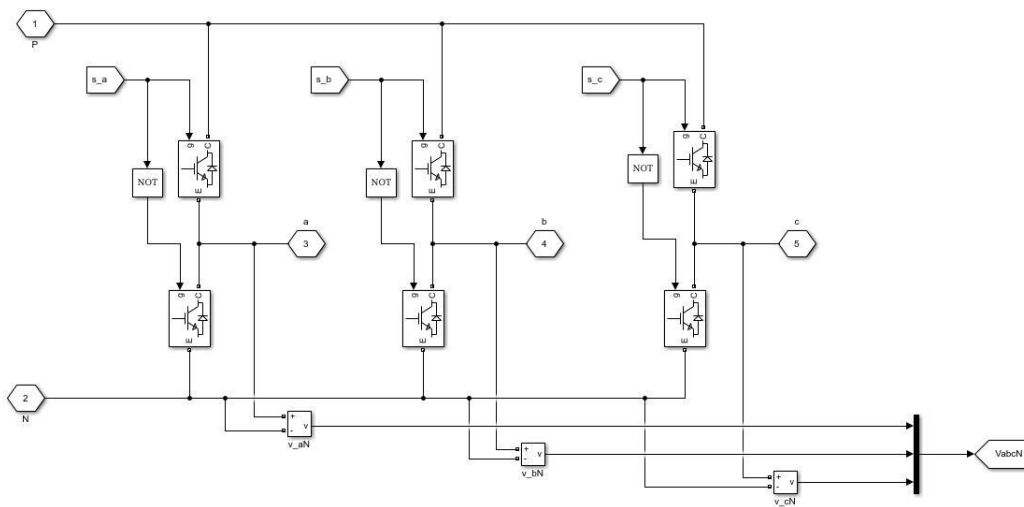


Simulation figures:

Power supply:

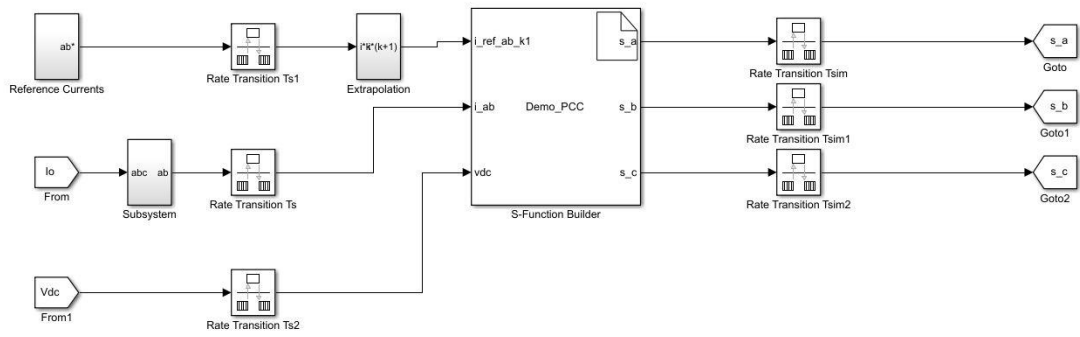
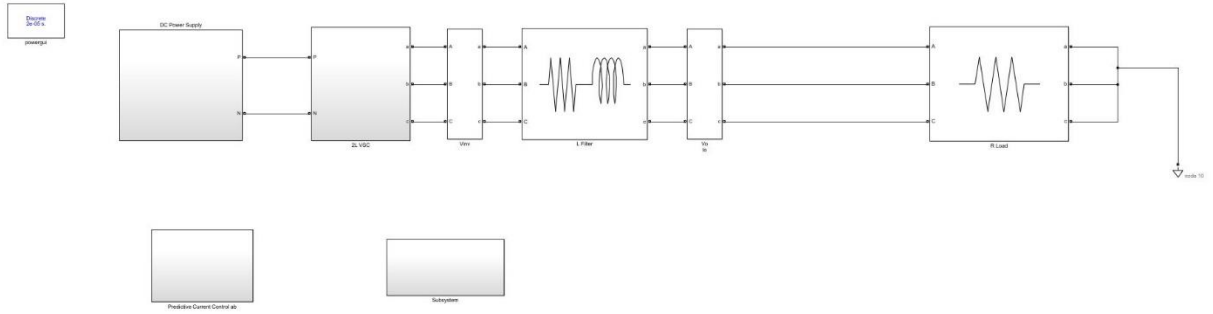


2L_VSC:

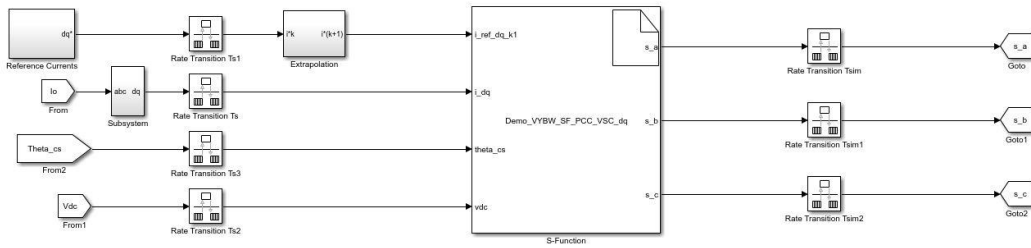
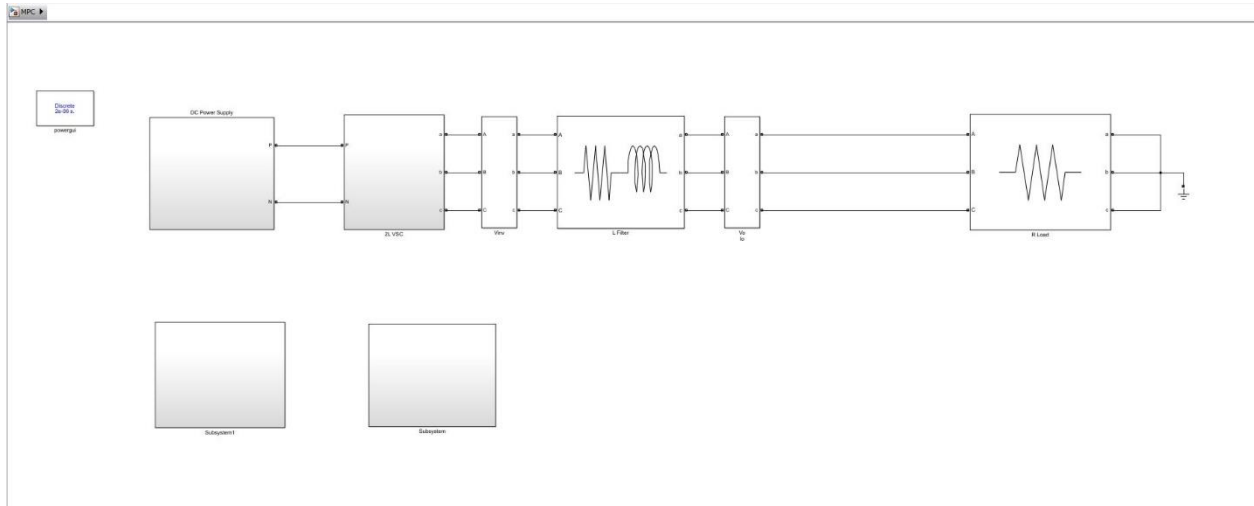


PCC:

PCC

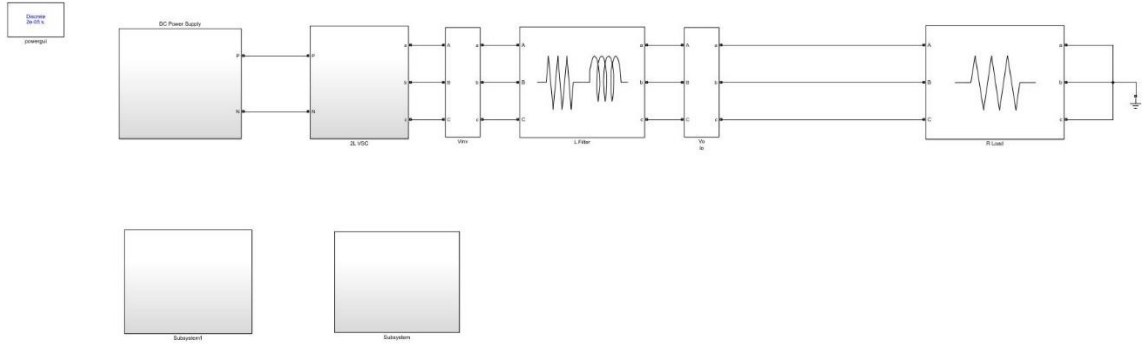


MPC:

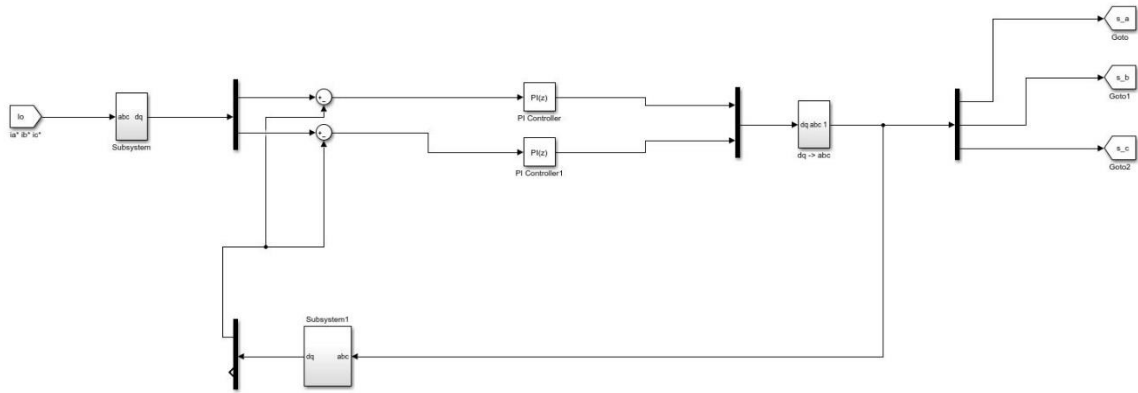


PWM:

LC_PWM



LC_PWM Subsystem1



Hysteresis Control:

